

# TECHNICAL DATASHEET



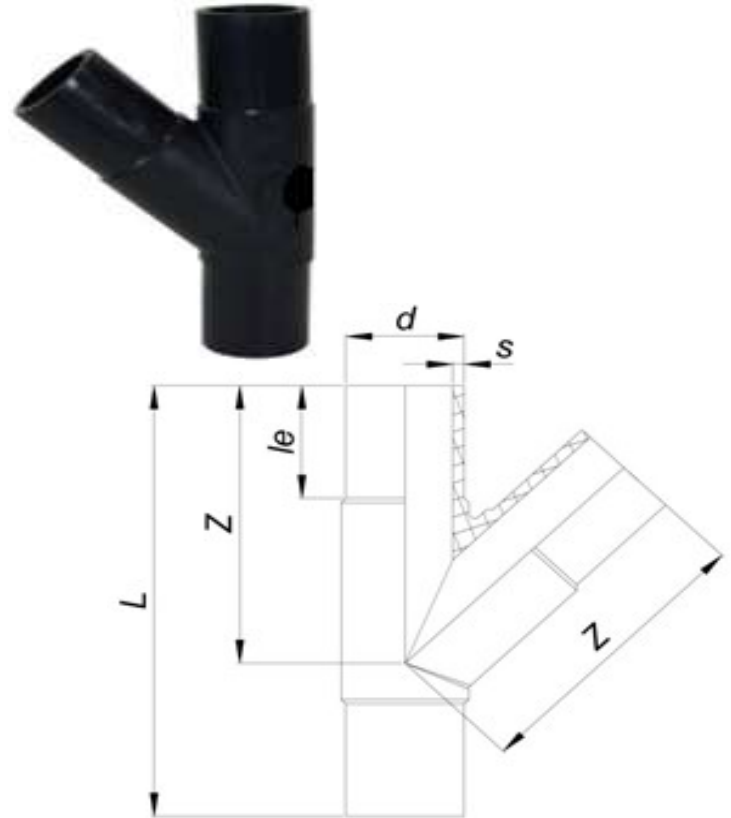
## WYE TEE 45°

03 Update - 04/2024

### TECHNICAL DATA

Article No	001 115 0045 0250
d (mm)	250
L (mm)	729
le (mm)	135
Z (mm)	507
s (mm)	14,8
Weight (Kg)	15,480
Box Quantity (pcs)	8
Box Dimension (pcs)	80x120x100

### INJECTION MOULDED



### IDENTIFICATION OF PRODUCT

D(mm)	250
SDR	17
RAW METARIAL	PE 100
PRESSURE CLASS	10 Bar Water 6 Bar Gas
TRADEMARK	NTG
EXECUTION	Injection Moulded
STANDARD	EN 12201-3 EN 1555-3 AS /NZS 4129

### SPECIFICATION

Long Spigot

Tolerance on diameters and thickness according to the standards. The other dimensions are specialized. Tolerance  $\pm 5\%$ . NTG PLASTIK reserves all the right to change any information without giving prior notice. The production, distribution and utilization of this document without explicit authorization is prohibited.

Fr 161 Rev 00